

**BOLLA**  
**PD3106**  
PENDANTS

PROJECT



**DESCRIPTION**

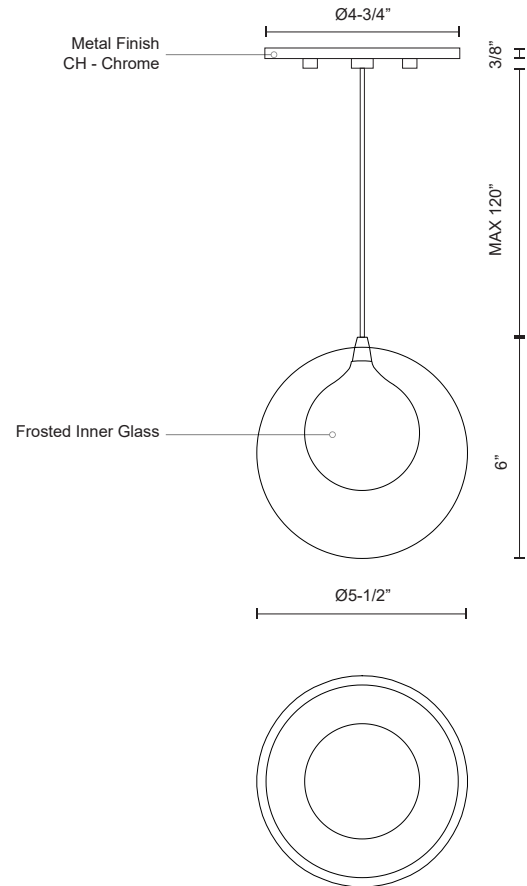
Produced in an array of configurations, the Bolla series is defined by the iconic double-wall glass globes. A frosted globe is perched within a transparent orb producing diffuser light from the satin aluminum LED socket. While elegant as a single pendant, the optional clustered bouquet creates a stunning impact.

**SPECIFICATION DETAILS**

<b>Fixture Dimensions</b>	D5-1/2" x H6"
<b>Light Source</b>	AC LED Module
<b>Wattage</b>	3W
<b>Total Lumens</b>	220lm
<b>Delivered Lumens</b>	CH-175lm
<b>Voltage</b>	120V
<b>Color Temperature</b>	3000K
<b>CRI (Ra)</b>	90CRI
<b>Optional Color Temps</b>	2700K - 5000K Available, Minimum Order Quantities Apply
<b>LED Rated Life</b>	50,000 hours
<b>Dimming</b>	100% - 10%, ELV Dimmer (Not Included)
<b>Shade Details</b>	Clear Glass Shade
<b>Glass Details</b>	Frosted Glass
<b>Adjustable</b>	Yes
<b>Wire Length</b>	120" Max
<b>Wire Type</b>	Clear SSL Wire
<b>Minimum Hang Height</b>	9"
<b>Sloped Ceiling Adaptable</b>	Yes
<b>Location</b>	Dry
<b>Canopy Dimensions</b>	D4-3/4" x H3/8"
<b>Finish Option(s)</b>	Chrome

\* For custom options, consult factory for details.

\* For warranty information, please visit [www.kuzcolighting.com/warranty](http://www.kuzcolighting.com/warranty)



**KUZCO**

CANADA: 19054 28TH AVENUE - SURREY, BC V3Z 6M3  
USA: 3035 E. LONE MOUNTAIN ROAD - LAS VEGAS, NV 89081

[WWW.KUZCOLIGHTING.COM](http://WWW.KUZCOLIGHTING.COM)

© 2016 KUZCO LIGHTING. ALL RIGHTS RESERVED.

**COMMENT**

