

CROFT FM44614

JUNE 2022 PRODUCTS

PROJECT



FM44614-BK/WH
Black/White

SPECIFICATION DETAILS

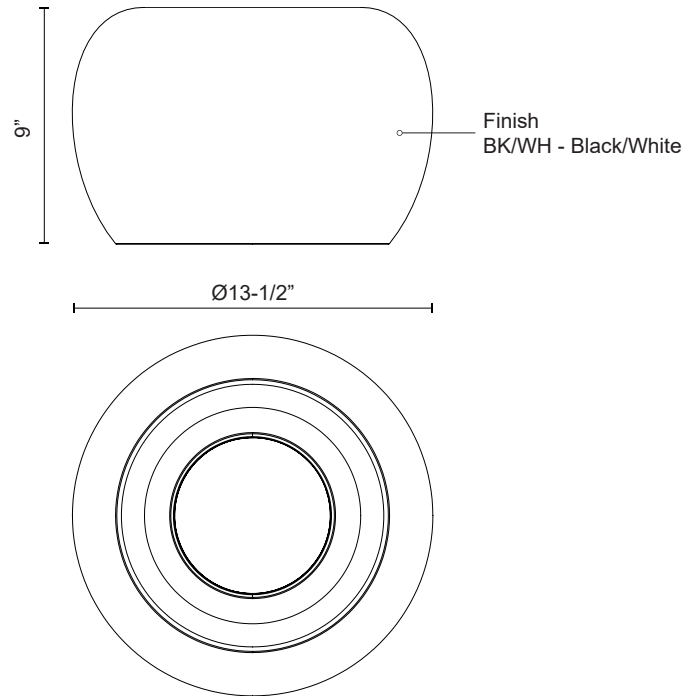
Fixture Dimensions	D13-1/2" x H9"
Light Source	AC LED Module
Wattage	17W
Total Lumens	1280lm
Delivered Lumens	604lm
Voltage	120V
Color Temperature	3000K
CRI (Ra)	90CRI
Optional Color Temps	2700K - 5000K Available, Minimum Order Quantities Apply
LED Rated Life	50,000 hours
Dimming	100% - 10%, ELV Dimmer (Not Included)
Diffuser Details	Acrylic diffuser
Location	Dry
CEC Title 24 JA8	Yes, JA8-2022

* For custom options, consult factory for details.

* For warranty information, please visit www.kuzcolighting.com/warranty

DESCRIPTION

The Croft is inspired by the fluid form of pottery. With a forged metal body and ample illumination, this collection is the perfect addition to any size space. Available in a trendy duo-toned Matte Black (outside) and White (inside).



KUZCO

CANADA: 19054 28TH AVENUE - SURREY, BC V3Z 6M3

USA: 3035 E. LONE MOUNTAIN ROAD - LAS VEGAS, NV 89081

WWW.KUZCOLIGHTING.COM

© 2022 KUZCO LIGHTING. ALL RIGHTS RESERVED.

COMMENT

