

# TREK EW17805

WALL

PROJECT



## DESCRIPTION

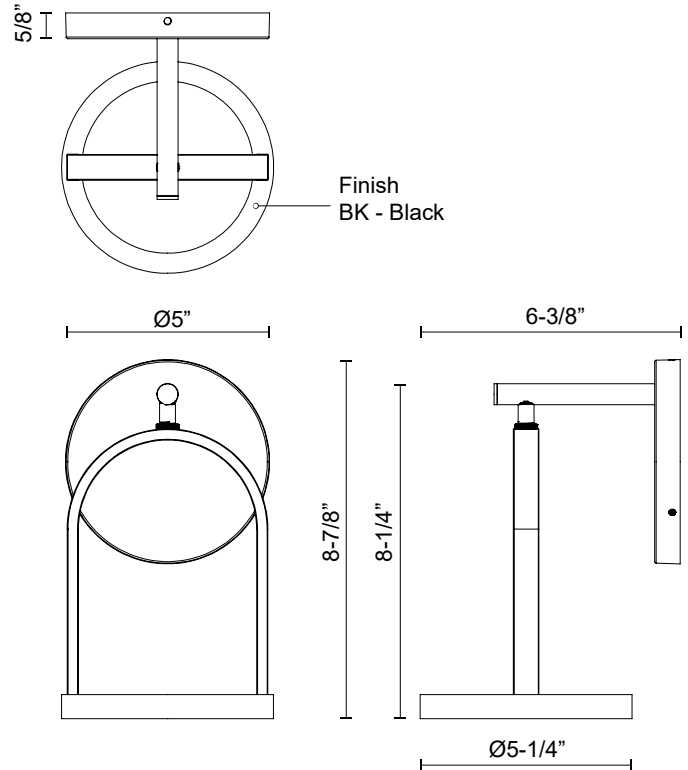
the Trek Outdoor Collection is a unique and modern take on a classic outdoor lamp post. The Trek Collection features a traditional lantern silhouette, with modern clean lines. A circular frame of illumination creates the perfect amount of both up and down light for all outdoor needs.

## SPECIFICATION DETAILS

<b>Fixture Dimensions</b>	W5-1/4" x H8-7/8" x E6-3/8"
<b>Light Source</b>	LED with DC Driver
<b>Wattage</b>	7W
<b>Total Lumens</b>	680lm
<b>Delivered Lumens</b>	BK-107lm
<b>Voltage</b>	120V
<b>Color Temperature</b>	3000K
<b>CRI (Ra)</b>	90CRI
<b>Optional Color Temps</b>	2700K - 5000K Available, Minimum Order Quantities Apply
<b>LED Rated Life</b>	50,000 hours
<b>Dimming</b>	100% - 10%, TRIAC or ELV Dimmer (Not Included)
<b>Diffuser Details</b>	Frosted acrylic diffuser
<b>Location</b>	Wet
<b>Mounting Style</b>	All Orientation; Wall;
<b>CEC Title 24 JA8</b>	Yes, JA8-2022
<b>Canopy Dimensions</b>	D5" x E5/8"
<b>Finish Option(s)</b>	Black

\* For custom options, consult factory for details.

\* For warranty information, please visit [www.kuzcolighting.com/warranty](http://www.kuzcolighting.com/warranty)



# KUZCO

CANADA: 19054 28TH AVENUE - SURREY, BC V3Z 6M3

USA: 3035 E. LONE MOUNTAIN ROAD - LAS VEGAS, NV 89081

[WWW.KUZCOLIGHTING.COM](http://WWW.KUZCOLIGHTING.COM)

© 2021 KUZCO LIGHTING. ALL RIGHTS RESERVED.

## COMMENT

