

**KONA**  
**EP56913**  
PENDANTS

PROJECT



EP56913-BK/OP  
Black/Opal Glass

**DESCRIPTION**

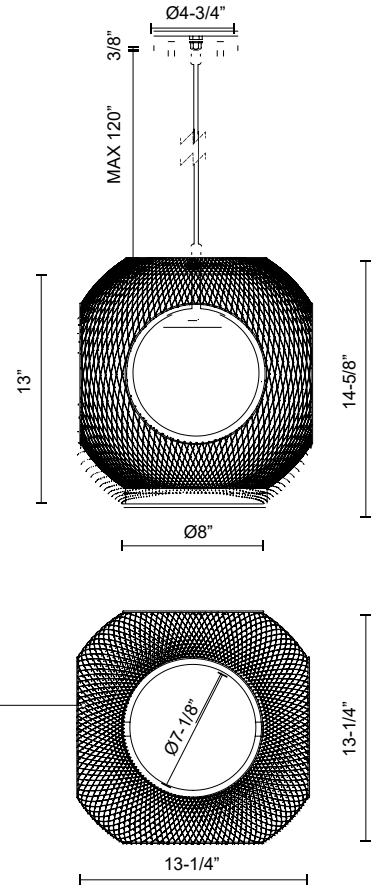
The lunar glow of the Kona Collection will have you swooning. While the Kona family is perfect for illuminating your outdoor seating areas, it makes an eye-capturing addition to your home's interior. Metal mesh encompasses a sphere opal glass diffuser that emits great lighting wherever you need it.

**SPECIFICATION DETAILS**

<b>Fixture Dimensions</b>	L13-1/4" x W13-1/4" x H14-5/8"
<b>Lamp Type</b>	Incandescent, A19, Medium Base
<b>Wattage</b>	1 x 60W
<b>Voltage</b>	120V
<b>Glass Details</b>	Opal Glass
<b>Adjustable</b>	Yes
<b>Wire Length</b>	120" Max
<b>Wire Type</b>	Black
<b>Minimum Hang Height</b>	18"
<b>Sloped Ceiling Adaptable</b>	Yes
<b>Location</b>	Wet
<b>Bulbs Included</b>	No
<b>Illumination Direction</b>	Up/Down
<b>Canopy Dimensions</b>	D4-3/4" x H3/8"

\* For custom options, consult factory for details.

\* For warranty information, please visit [www.kuzcolighting.com/warranty](http://www.kuzcolighting.com/warranty)



Finish  
BK/OP - Black/Opal Glass

**KUZCO**

CANADA: 19054 28TH AVENUE - SURREY, BC V3Z 6M3  
USA: 3035 E. LONE MOUNTAIN ROAD - LAS VEGAS, NV 89081

[WWW.KUZCOLIGHTING.COM](http://WWW.KUZCOLIGHTING.COM)

© 2023 KUZCO LIGHTING. ALL RIGHTS RESERVED.

**COMMENT**

