

Remote LED Driver 120W

ITEM NUMBER

ALO1184094

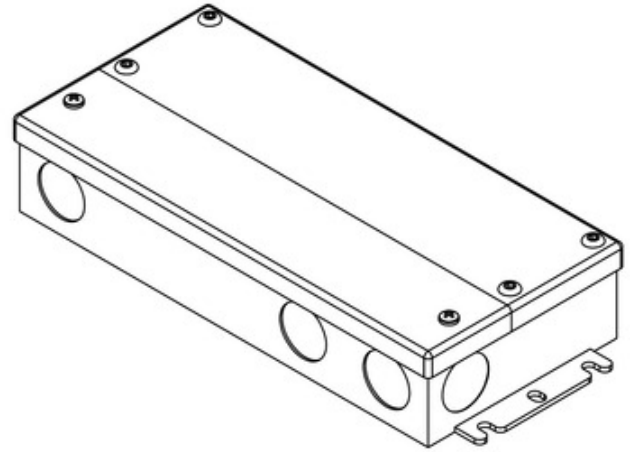


BRAND

Alora

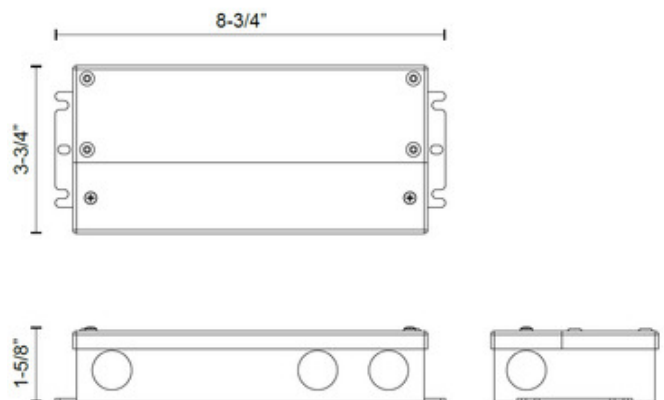
DESCRIPTION

Remote LED driver in metal case. 120W, 120-277V, 48VDC, 2.5A., 100 - 10 percent Triac, Low Voltage Electric or 0-10V dimming - not included. Mount a maximum of 30 feet from fixture with 18AWG.



Shown in: Metal

SHADE COLOR	Metal
BODY FINISH	N/A
WATTAGE	N/A
DIMMER	Low Voltage Electronic
DIMENSIONS	8.75"W x 1.625"H x 3.75"D
LAMP	N/A



ITEM NUMBER

ALO1184094