

**COLLIDE  
CH96442  
CHANDELIERS**

PROJECT



CH96442-BK  
Black

**SPECIFICATION DETAILS**

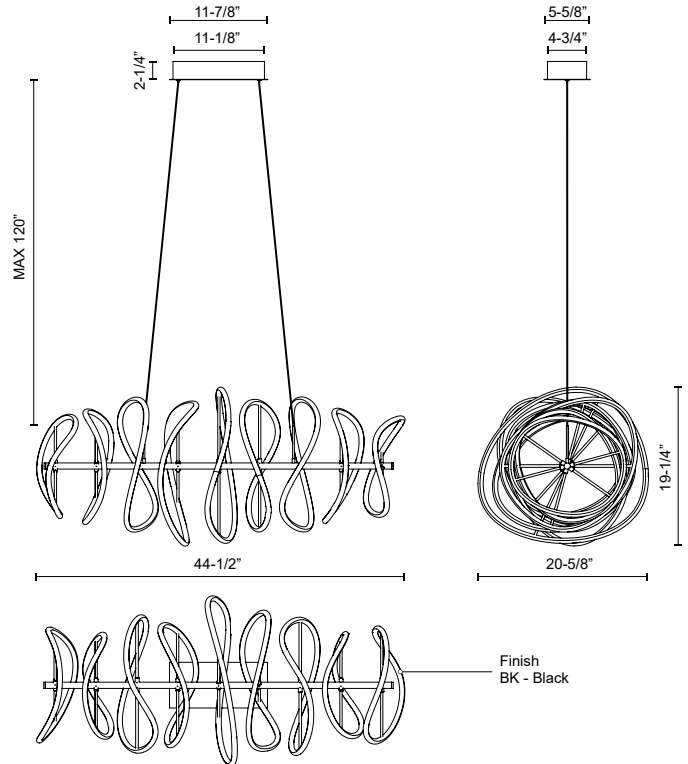
<b>Fixture Dimensions</b>	L44-1/2" x W20-5/8" x H19-1/4"
<b>Light Source</b>	LED with DC Driver
<b>Wattage</b>	100W
<b>Total Lumens</b>	8550lm
<b>Delivered Lumens</b>	4850lm*
<b>Voltage</b>	120V
<b>Color Temperature</b>	3000K
<b>CRI (Ra)</b>	90CRI
<b>Optional Color Temps</b>	2700K - 5000K Available, Minimum Order Quantities Apply
<b>LED Rated Life</b>	50,000 hours
<b>Dimming</b>	100% - 10%, TRIAC or ELV Dimmer (Not Included)
<b>Diffuser Details</b>	White Silicone
<b>Adjustable</b>	Yes
<b>Wire Length</b>	120" Max
<b>Wire Type</b>	Black
<b>Minimum Hang Height</b>	24"
<b>Sloped Ceiling Adaptable</b>	Yes
<b>Location</b>	Dry
<b>Illumination Direction</b>	Up/Down
<b>Canopy Dimensions</b>	L11-7/8" x W5-5/8" x H2-1/4"

\* For custom options, consult factory for details.

\* For warranty information, please visit [www.kuzcolighting.com/warranty](http://www.kuzcolighting.com/warranty)

**DESCRIPTION**

Straight out of an artist's sketchbook comes the Collide Collection. A dramatic family of lights that are pieces of sculptural beauty to illuminate your home in all the best ways. Curved LED strips with frosted silicone diffusers are beautifully formed, colliding with dark, powder-coated black aluminum in this striking statement piece that demands showing off.



**KUZCO**

CANADA: 19054 28TH AVENUE - SURREY, BC V3Z 6M3  
USA: 3035 E. LONE MOUNTAIN ROAD - LAS VEGAS, NV 89081

[WWW.KUZCOLIGHTING.COM](http://WWW.KUZCOLIGHTING.COM)

© 2023 KUZCO LIGHTING. ALL RIGHTS RESERVED.

**COMMENT**

